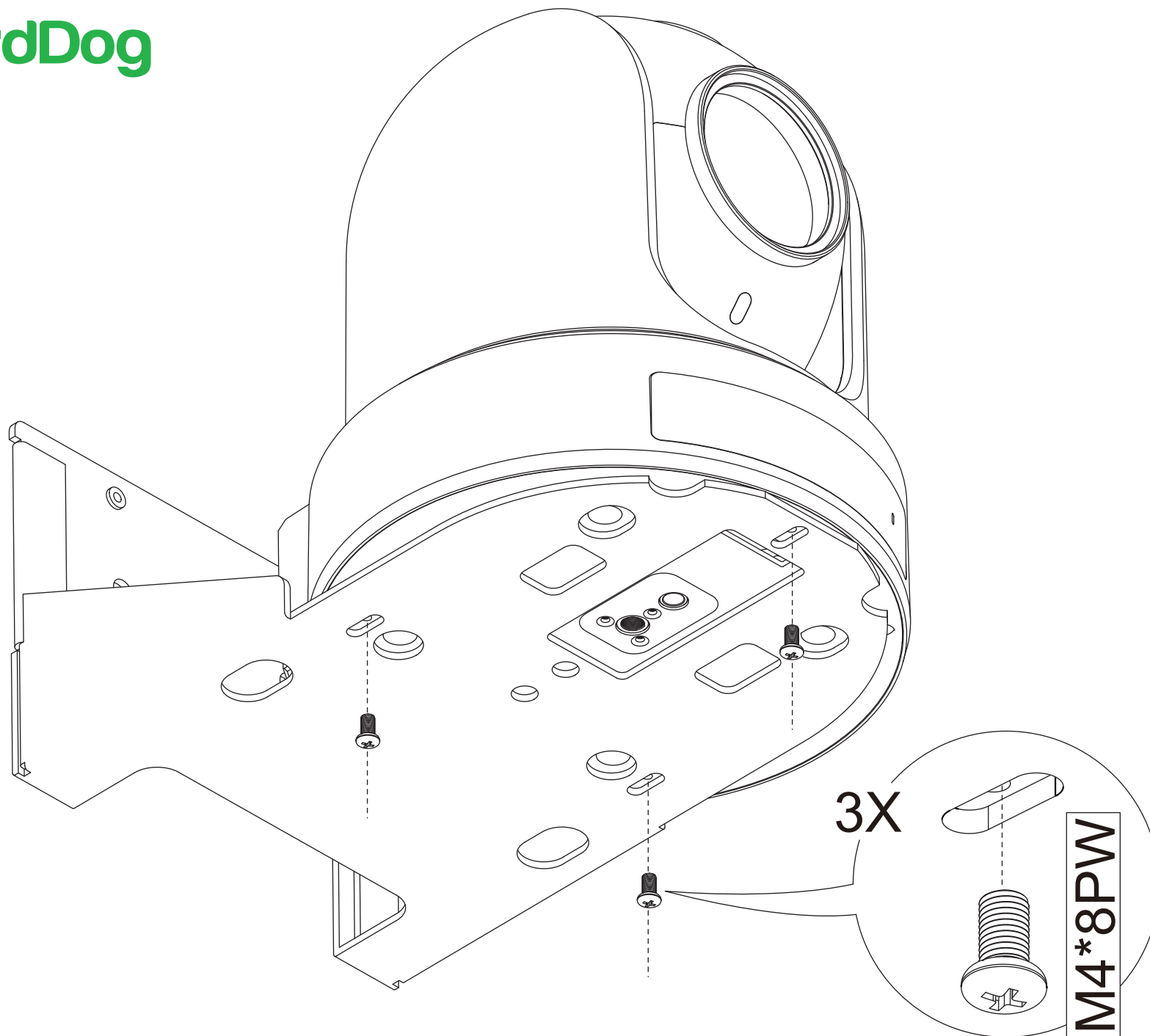


Unit in mm



Unit in mm